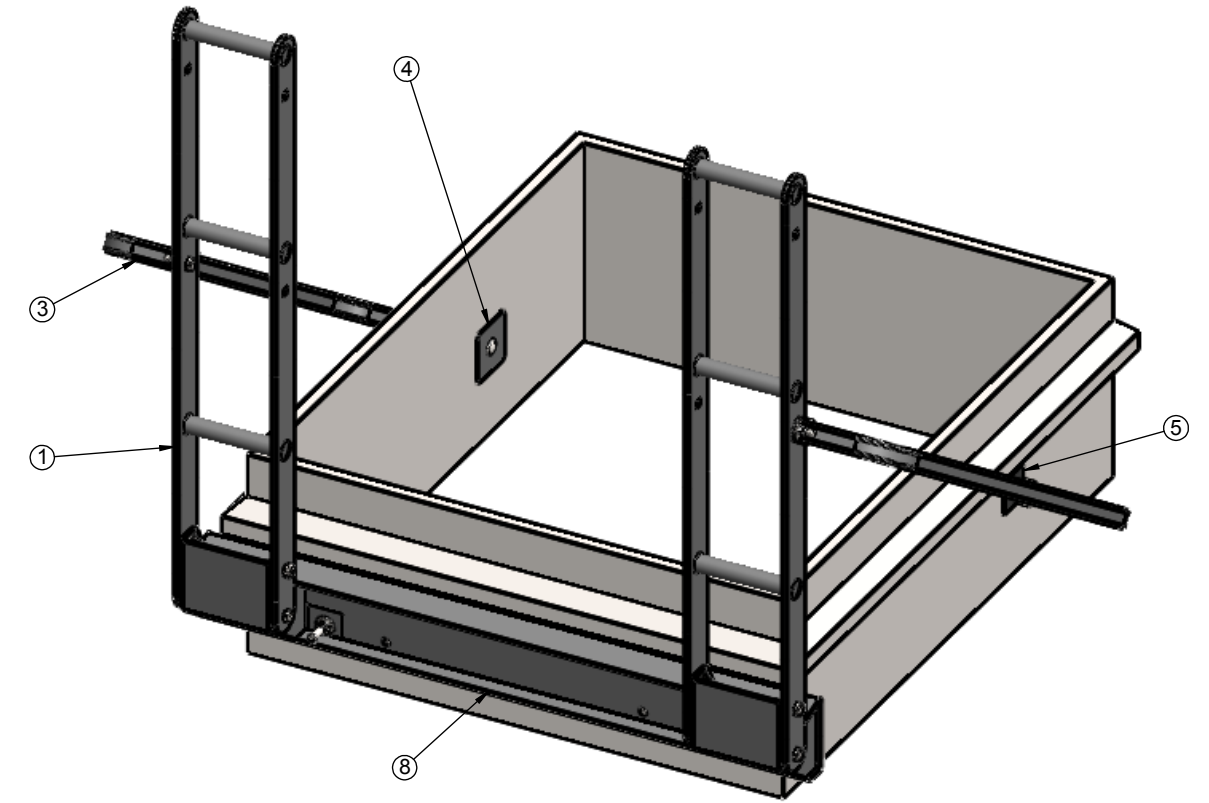
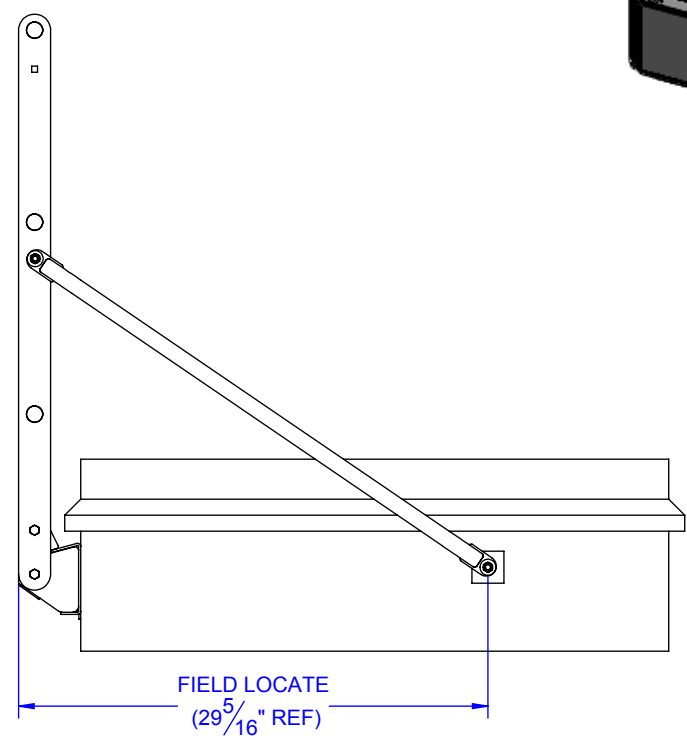
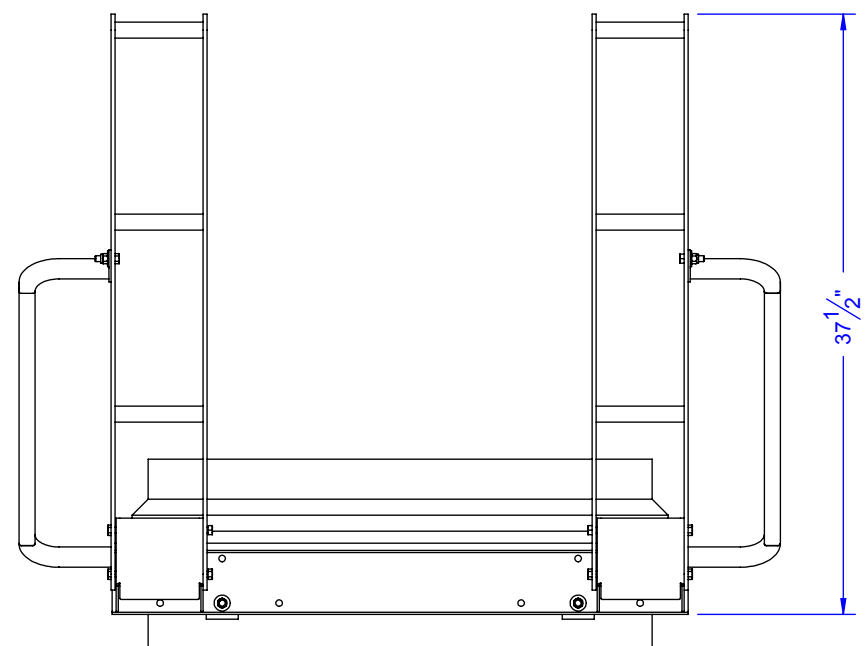
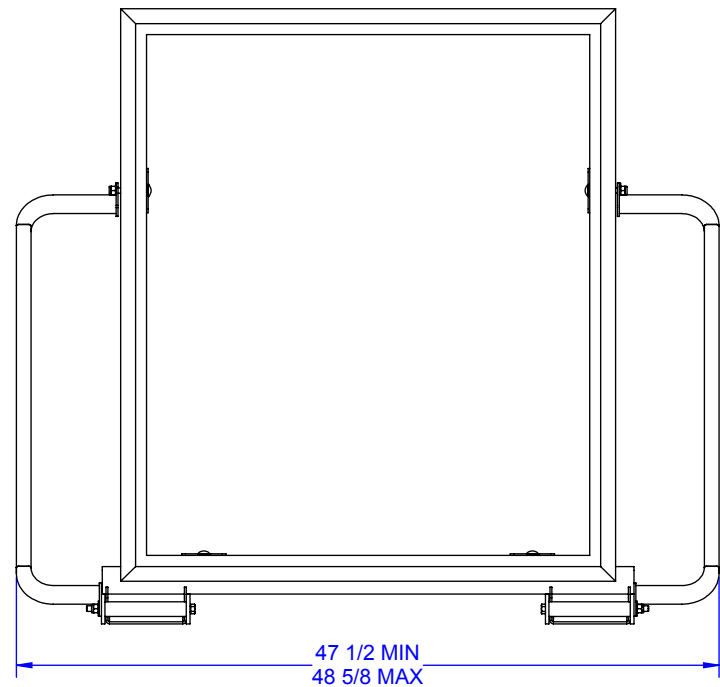


*** HATCH GRIP IS NOT INTENDED TO ACT AS A PROTECTIVE BARRIER FOR GUARDING THE OPEN ROOF HATCH. FOR COMPLETE FALL PROTECTION GUARDING OF AN OPEN ROOF HATCH SEE OUR *HATCHSAFE* PRODUCT**

B.O.M. IS FOR QTY - 1				
ITEM NO.	PART NO.	DESCRIPTION	Qty	U/M
1	500802	HTG;ASSY RUNG-PCG	2	EA
2	502077	HTG; HARDWARE BAG	1	EA
3	500803	HTG;ASSY SUPP TUBE PCG	2	EA
4	500807	HTG;CRUSH PLATE-PCG	4	EA
5	511040	WS;CURB/CRUSH PLT WEATHER SEAL	4	EA
6	500487	CARTON; HTG, HATCH GRIP	1	EA
7	500574	HTG;DECAL; HATCH GRIP	1	EA
8	511921	HSF;ASSYCURB-PCG	1	EA



PATENT NUMBERS: 6,095,283; 6,347,685; 6,619,428

FINISH: SHERWIN WILLIAMS POLYESTER POWDER COAT 49 GRAY

C:\Working Directory\HTG-PCG; 8/4/2014

REV.	REVISIONS	DATE	REVISED BY	PRODUCT DESCRIPTION: HATCH GRIP PCG		SN/WO:	PART #: HTG-PCG
				CUSTOMER:		DWG STATUS:	UNLESS OTHERWISE SPECIFIED
				CUSTOMER PO #:		FOR REFERENCE ONLY	LINEAR ± .0312" (1/32")
				SALES ORDER NAME: PS DOORS - STOCK		ESTIMATED ASSEMBLY WEIGHT: 52.31 LBS.	CUTOUT ± .0156" (1/64")
				SALES ORDER #:		DWG #: HTG-PCG	SQUARENESS ± .0625" (1/16")
				FOLDING MACHINE PROGRAM #:		DWG BY: adeshaw	ANGULAR ± .5°
				WATERJET PROGRAM #:		CHECKED: /	DATE: 11/20/2014
						REV: B+	SCALE: NTS
							SHEET #: 1 OF 3

PS DOORS
 MANUFACTURING DIVISION
 1150 48th St. S
 GRAND FORKS, ND 58201
 PH. 701-746-4519
 FAX 701-746-8340