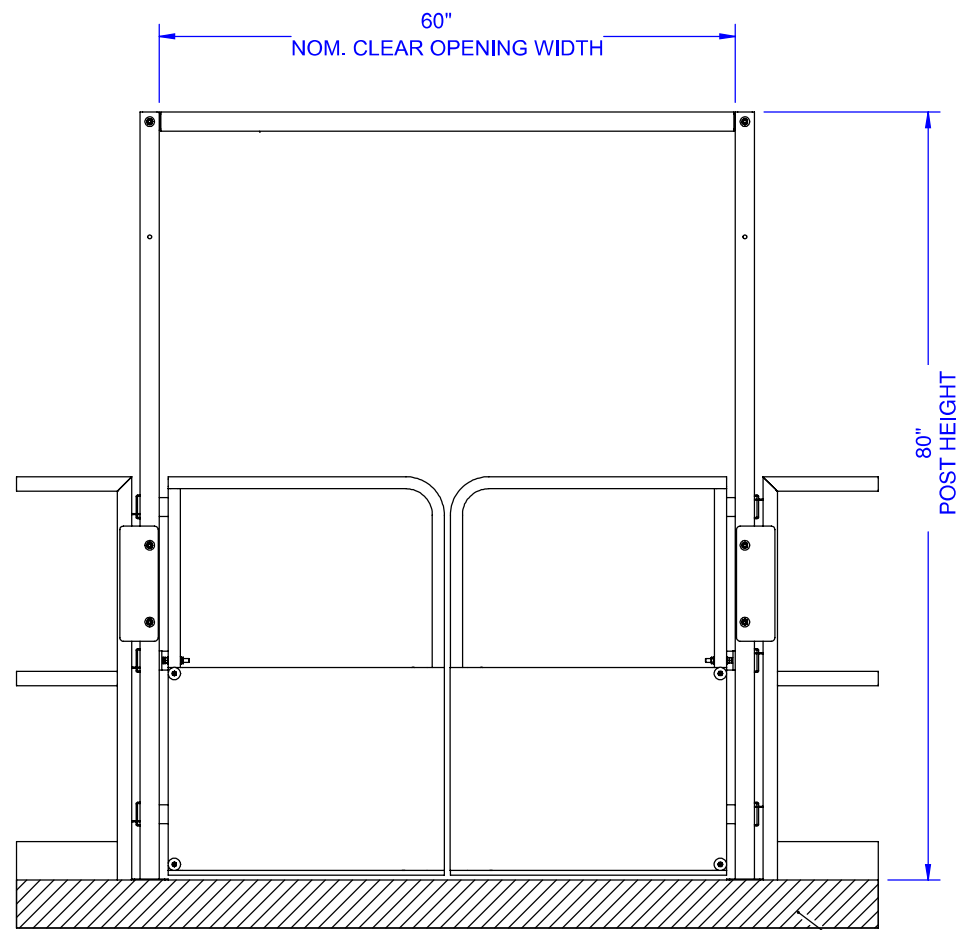
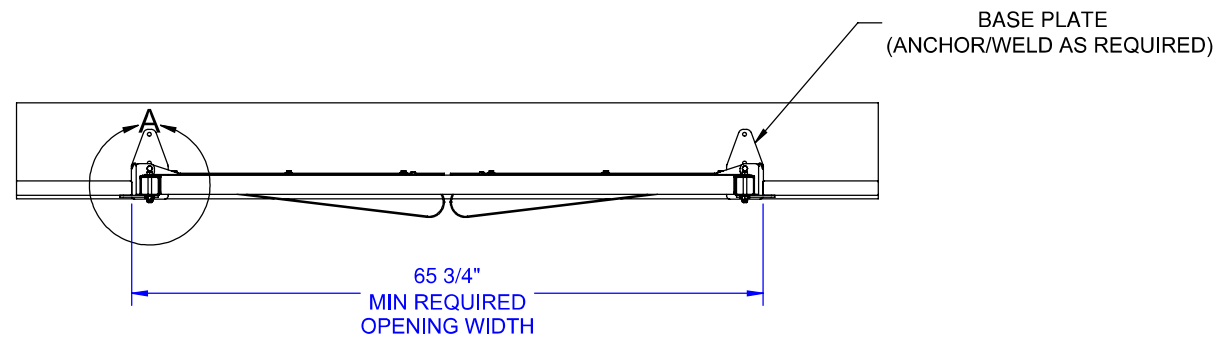


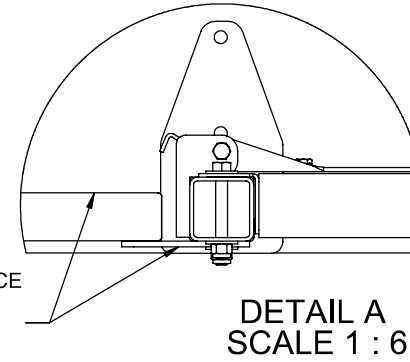
WARNING: LOAD RATINGS OF GATES WILL VARY BASED ON INDIVIDUAL INSTALLATION

NOTE:
GATE TO ATTACH TO MEZZANINE FLOOR AND BE ATTACHED TO ADJACENT RAILING SYSTEM TO PROVIDE STABILITY TO GATE COLUMNS.



MEZZANINE DECK AS VIEWED FROM DECK BELOW

FIELD ANCHOR OR WELD IN PLACE (PLATE MAY BE FASTENED ON EITHER SIDE OF POST)

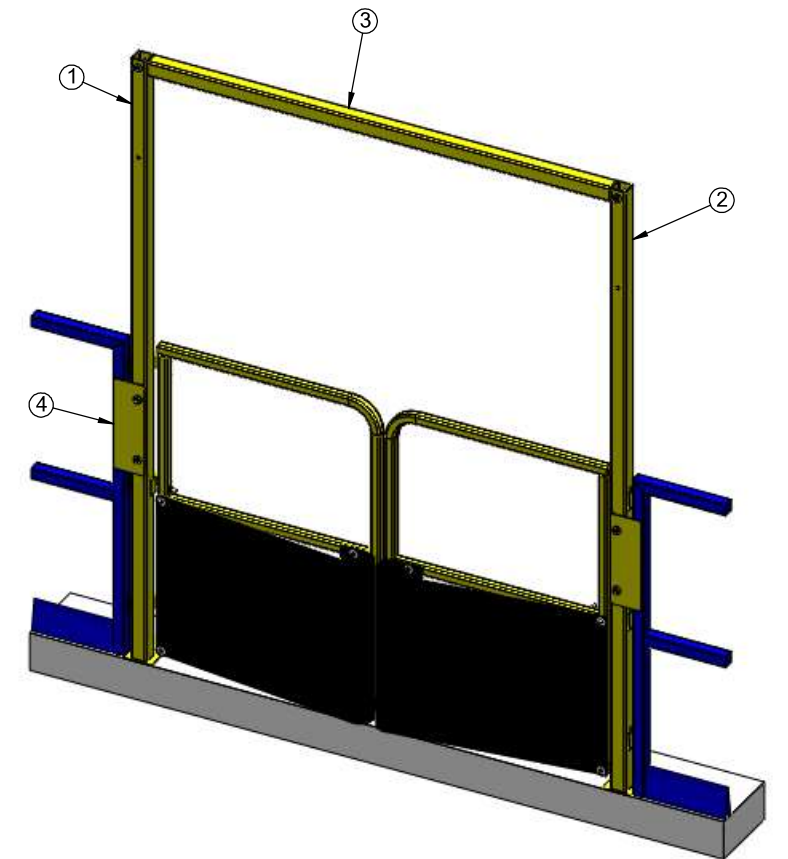


SUBMITTAL REVIEW
APPROVER IS REQUIRED TO ONE BOX ONLY AND SIGN
 APPROVED; PROCEED WITH FABRICATION
 APPROVED WITH CORRECTIONS; PROCEED WITH FABRICATION
 REVISE AS NOTED & RESUBMIT
 REJECTED

Signature _____ Date _____

Printed Name _____

B.O.M. IS FOR QTY - 1				
ITEM NO.	PART NO.	DESCRIPTION	Qty	U/M
1	511560	PLG;LEFT HAND ASSY	1	EA
2	511561	PLG;RIGHT HAND ASSY	1	EA
3	502509	PLG;ASSY CROSS BAR	1	EA
4	502210	PLG;VERTICAL POST PLATE PCY	2	EA
5	506973	PLG;CARTON;84"X 7.5"X44",KRAFT	1	EA
6	500406	BOLT;HEX3/8"16X2 3/4GR5ZN	6	EA
7	501947	WASHER;FLAT 3/8"ZN	8	EA
8	501120	NUT;NYLOCK 3/8"16 ZN	6	EA



- GATE ARM: FORMED 1 1/4" SQUARE, 11GA
- COLUMNS/CROSSBAR: 2" SQUARE, 11GA
- HINGE SPRING: TORSION TYPE, STAINLESS STEEL PROVIDE (3) SPRINGS PER GATE, HOUSED WITHIN HINGE PIVOT.
- TEARDROP IMPACT BUMPERS: HIGH IMPACT CROSS-LINKED POLYETHYLENE BUMPERS WITH 3" PROJECTION. BLACK IN COLOR
- GATE OPERATION: ALLOWS FOR 180° OF TRAVEL.
- FINISH: FINISH ON ALL EXPOSED SURFACES TO BE POWDER COATED SAFETY YELLOW

FINISH:
POWDER COAT SAFETY YELLOW

REV.	REVISIONS	DATE	REVISED BY	PRODUCT DESCRIPTION: PLG-6084		SN/WO:	PART #: PLG-6084
				CUSTOMER:	DWG STATUS:		UNLESS OTHERWISE SPECIFIED
				CUSTOMER PO #:	FOR APPROVAL		LINEAR ± .0312" (1/32")
				SALES ORDER NAME:	ESTIMATED ASSEMBLY WEIGHT:		CUTOUT ± .0156" (1/64")
				SALES ORDER #:	DWG #: PLG-6084		SQUARENESS ± .0625" (1/16")
					DWG BY:		ANGULAR ± .5°
							DATE: 1-9-17
							SCALE: NTS
							SHEET #: 1 OF 1
							REV: B+

PS DOORS
 MANUFACTURING DIVISION
 1150 48th St. S
 GRAND FORKS, ND 58201
 PH. 701-746-4519
 FAX 701-746-8340

C:\Users\sladshaw\Desktop\PDM Workgroup (Working Directory)\PLG-6084 - 8/13/2014