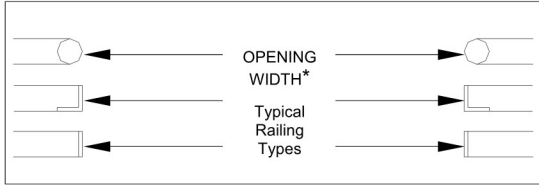


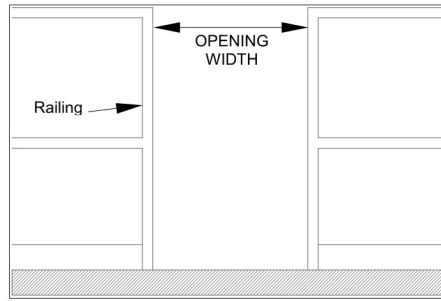
FULL HEIGHT LADDER SAFETY GATE MEASURING GUIDE & ORDER FORM



Toll Free 877-446-1519
 Phone: 701-746-4519
 Fax 701-746-8340
 Website: www.psddoors.com

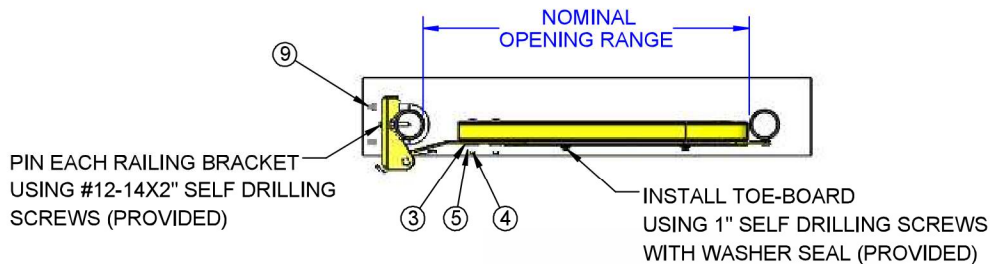
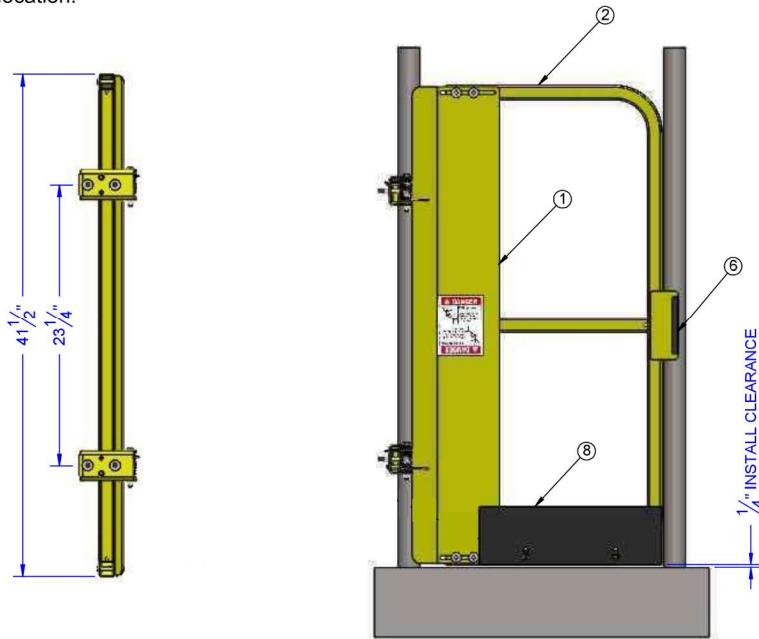


Top View Looking Down on Typical Railing Openings



Elevation View

* If bolting to angle iron, flat bar or wall surface, order Ladder Safety Gate size 2-1/2" smaller to account for mounting location.



QUOTATION REQUESTED LADDER SAFETY GATE ORDER

SOLD/QUOTE TO:

Name:
 Company:
 Address:
 City, State, Zip:
 Phone: Fax:
 E-Mail:

SHIP TO:

Name: Date:
 Address: P.O. #:
 City, State, Zip TAG:
 Phone: SHIP VIA:

Location:

ITEM NO.	PART NUMBER	DESCRIPTION	Qty.
1	513158	LSGF - Hinge Plate Assembly	1
2	513XXX	LSGF - Hoop	1
3	500326	Bolt: Carriage 5/16" 18x2Gr5Zn	4
4	501949	Washer; Flat 5/16"Zn	4
5	501126	Nut; Nylock 5/16"18Zn	4
6	510376	LSG;STRIKE PLATE TRIM-5"	1
7	513144	LSGF;TOE BOARD-21	1
9	511899	LSGF;HARDWARE BAG PCY/GAL/MS	1

MEASURING GUIDE:

Product Number	Fits Opening Dimension	
	Min	Max
LSGF-18	16-3/4"	20-1/2"
LSGF-21	19-3/4"	23-1/2"
LSGF-24	22-3/4"	26-1/2"
LSGF-27	25-3/4"	29-1/2"
LSGF-30	28-3/4"	32-1/2"
LSGF-33	31-3/4"	35-1/2"
LSGF-36	34-3/4"	38-1/2"

Finish Key:

Example: LSGF-24-PCY

- GAL - Hot Dipped Galvanized
- SS - Stainless Steel
- PCY - Powder Coat Safety Yellow