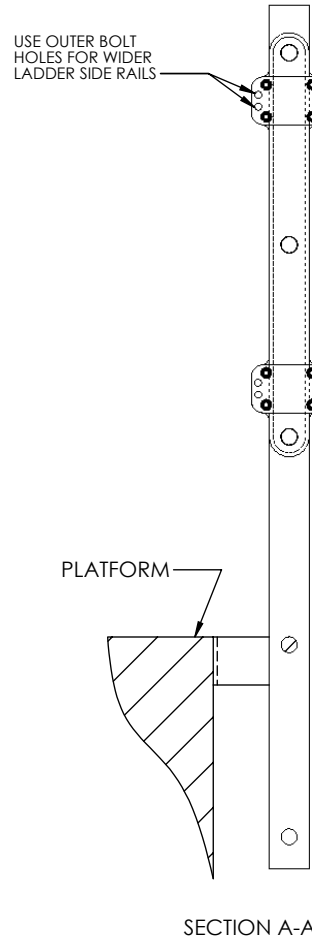
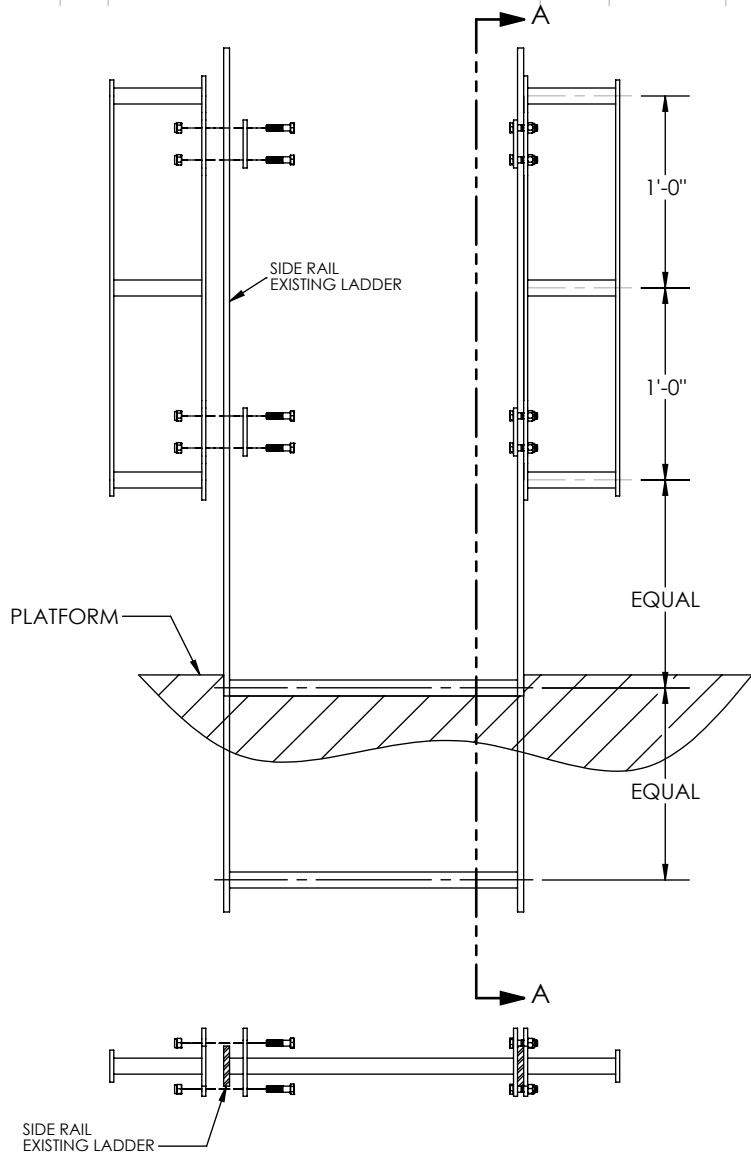
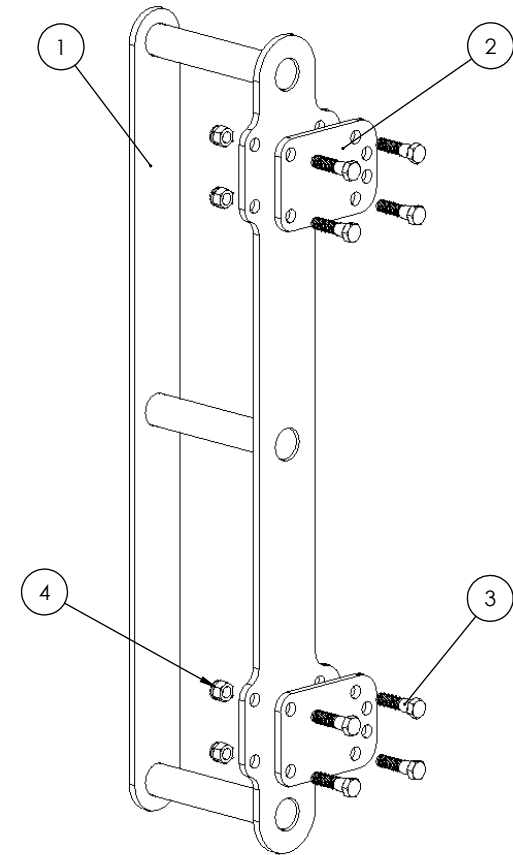



REVISIONS				
ZONE	REV.	DESCRIPTION	DATE	APPROVED



ITEM NO.	PART NUMBER	DESCRIPTION	Qty
1	500728	GBS; Assy Bolt On Rung PCY	2
2	502116	GBS; Ladder Plate Back PCY	4
3	500392	3/8"-16x1 1/2" Hex Bolt Gr8	16
4	501120	Nut; Nylock 3/8" 16 Zn	16



This drawing is loaned with the expressed agreement that the drawing and information therein contained are the property of Production Specialties Corporation and will not be reproduced or copied in whole or in part nor used for the fabrication or construction of materials except upon the written permission of Production Specialties Corporation first obtained and specific as to use. The acceptance of this drawing will be construed as the acceptance of the foregoing agreement.

PART NAME: GrabSafe, Clamp-on, PCY (Powdercoat Safety Yellow)		PART #: GBS-CLMP-PCY	
VENDOR: Make	DATE: 2/6/2009	SHEET #: 1 OF 1	 1150 S 48th ST GRAND FORKS, ND 58201 PH. 701-746-4518 FAX 701-746-8340
VENDOR PART #:	DWG BY: PS	DWG #: GBS-CLMP-PCY	
MATERIAL:	CHECKED:	DATE: 2/6/2009	
U.S. Patent #: 6,095,283	SCALE: NTS	REV:	