



Haws®

AXION® MSR Combination Corrosion Resistant Shower and Eye/Face Wash

model 8330

FEATURES & BENEFITS

CONSTRUCTION

1-1/4" Type 304 Stainless Steel pipe and fittings along with cast finished stainless steel 9" (22.9 cm) diameter floor flange provide a superior defense in a highly corrosive environment.

QUALITY CONTROL

Eye/face wash and valve assembly are pre-built and fully water/pressure tested to ensure no leaks and proper function which ultimately reduces installation time.

BOWL

The 11" (27.9 cm) round stainless steel receptor is supplied with a No. 2L bright finish on its exterior

VALVES

Eye/face wash valve is designed to make the flushing of contaminants occur with the simple push of a stainless steel flag. Shower ball valve is designed to make the flushing of fluid occur with the pull of a triangular lever. Both are made of Type 316 stainless steel.

STRAINERS/FILTERS

Type 304 Stainless Steel in-line 50 x 50 mesh water strainer supplies added protection against corrosion and prevents debris from reaching the eye/face wash so the 8330 stays functioning at its best. Strainer is easily serviceable. Stainless steel dust cover protects eye/face wash head as well as bowl up until the last second before use further optimizing operation.

SHOWER HEAD

AXION® MSR stainless steel showerhead uses a hydrodynamic design to give equal distribution of water throughout the entire footprint of flow.

EYE/FACE WASH

AXION® MSR eye/face wash head (patent pending) uses an inverted directional laminar flow to sweep contaminants away from the vulnerable nasal cavity.



SPECIFICATIONS

Model 8330 all stainless steel combination shower and eye/face wash shall include a stainless steel 11" (27.9 cm) round bowl, an AXION® MSR stainless steel eye/face wash head that supplies an inverted directional laminar flow which achieves Zero Vertical Velocity™ supplied by an integral 3.7 gpm flow control. Unit shall also include the AXION MSR hydrodynamic design stainless steel showerhead with 20 gpm flow control, eyewash dust cover, stainless steel 50 x 50 mesh water strainer, and stainless steel stay-open shower and eyewash ball valves equipped with stainless steel ball and stem. Unit shall also include a stainless steel cast 9" (22.9 cm) diameter floor flange, Type 304 Stainless Steel pipe and fittings, universal sign, self-adhesive high visibility Safety Green and bright yellow stripes, and 1-1/4" NPT supply.

APPLICATIONS

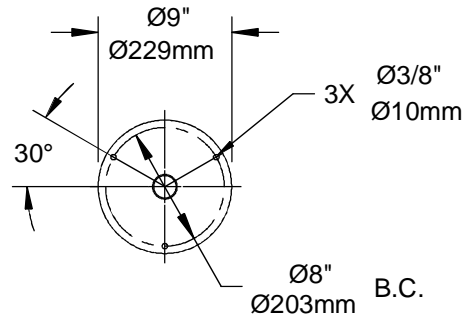
In an environment where materials need to withstand the greatest corrosion, where eyes, face, or body of any person may be exposed to these injurious or corrosive materials, suitable facilities for quick drenching or flushing of the eyes, face, and body shall be provided within the work area for immediate emergency use. Emergency eye/face wash facilities and deluge showers shall be in unobstructed and accessible locations that require no more than 10 seconds for the injured person to reach. Model 8330 is certified by CSA to meet the ANSI Z358.1 Standard for Emergency Eyewash and Shower Equipment.

OPTIONS

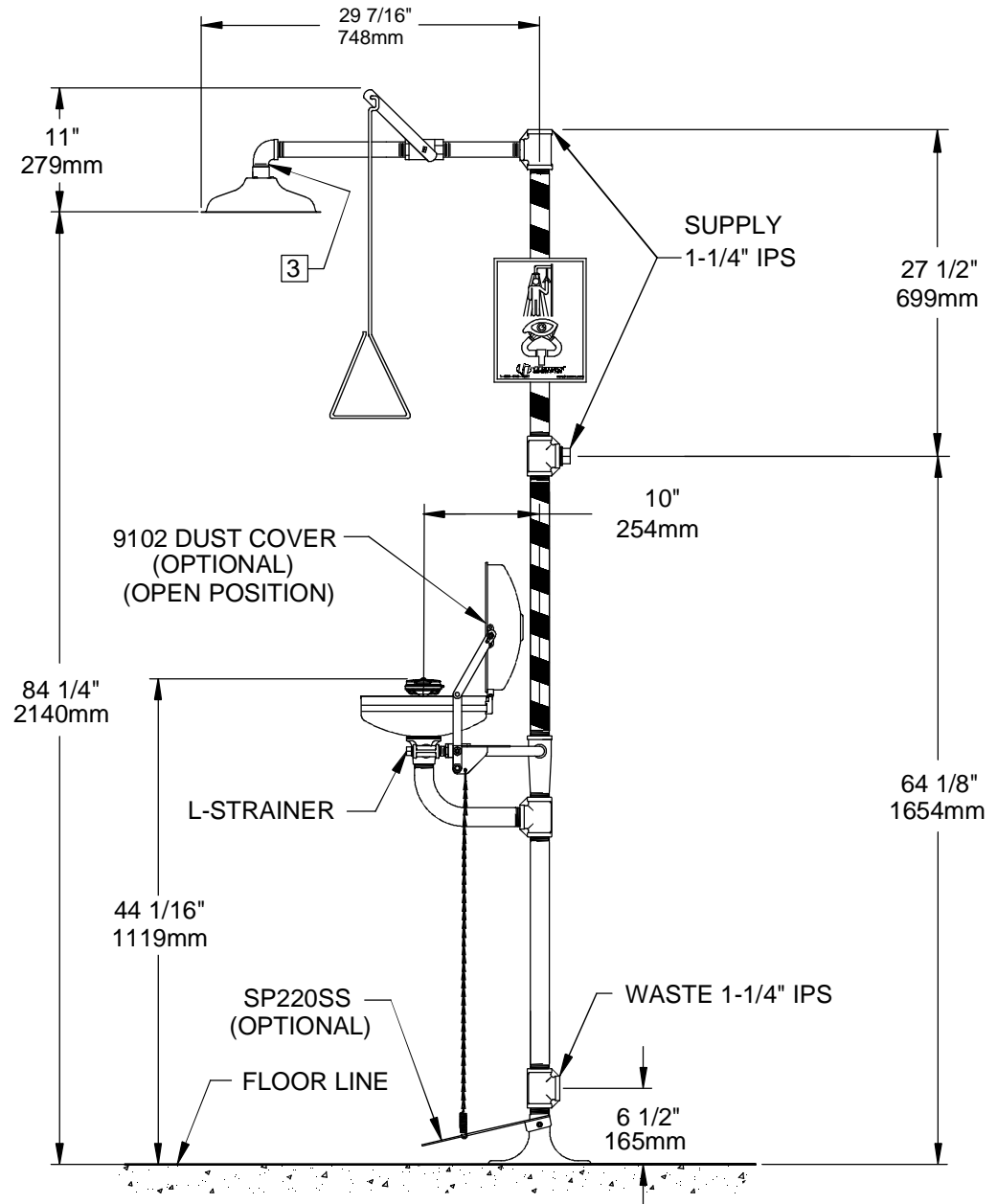
- Test Tag: SP170 is a green waterproof test card with space for date and initials of inspector. Used to record weekly testing of emergency equipment.
- Large Shower/Eyewash Sign: Model SP178LG large vertical universal combination emergency shower and eyewash sign. Size: 18" x 24" (45.7 x 61 cm).
- Dust Cover: Model 9102 is a stainless steel cover that protects the eyewash heads as well as the bowl. (Picture shows cover mounted to an eyewash.)
- Foot Treadle : Model SP220SS foot control assembly, including chain, clamp, nut, ring, screw, spring and stainless steel treadle.

For more information, visit www.hawsco.com or call (888) 640-4297.





MOUNTING DETAIL



NOTES:

1. DIMENSIONS MAY VARY BY $\pm 3/4$ INCH [13mm].
2. TO COMPLY WITH ANSI Z358.1-2009 FOR EMERGENCY EYEWASH OR EYE/FACE WASH AND SHOWER EQUIPMENT:
 - UNIT SHALL BE INSTALLED IN ACCORDANCE WITH MANUFACTURER'S INSTRUCTIONS AND ACCEPTABLE PLUMBING PRACTICES.
 - EYEWASH OR EYE/FACE WASH SHALL BE POSITIONED WITH NOZZLES NOT LESS THAN 83.8 CM (33 IN.) AND NO GREATER THAN 114.3 CM (45 IN.) FROM SURFACE ON WHICH USER STANDS AND 15.3 CM (6 IN.) MINIMUM FROM WALL OR NEAREST OBSTRUCTION.
 - SHOWER SHALL BE POSITIONED SO THAT SHOWER HEAD IS NOT LESS THAN 208.3 CM (82 IN.) NOR MORE THAN 243.8 CM (96 IN.) FROM SURFACE ON WHICH USER STANDS.
 - SHOWER SPRAY PATTERN SHALL HAVE A MINIMUM DIAMETER OF 50.8 CM (20 IN.) AT 152.4 CM (60 IN.) ABOVE SURFACE ON WHICH USER STANDS, AND CENTER OF SPRAY PATTERN SHALL BE LOCATED AT LEAST 40.6 CM (16 IN.) FROM ANY OBSTRUCTION.

☐ IF NECESSARY USE LOCTITE 567 SEALANT ON THE MALE THREADS, JUST ABOVE THE FIRST THREAD.

		Haws [®]		1455 KLEPPE LANE SPARKS, NEVADA 89431 (775) 359-4712 FAX (775) 359-7424 E-MAIL: HAWS@HAWS.CO.COM WEBSITE: WWW.HAWS.CO.COM	
				ECN NO: ECN: 5082 DRAWN: C. HAYES APPROVED: FV	REVISED PER: VWC DATE: 05/01/16 DATE: 05/26/16
SCALE: 1/16		DRAWING TYPE: INSTALLATION		SIZE: A SHEET 1 OF 1	