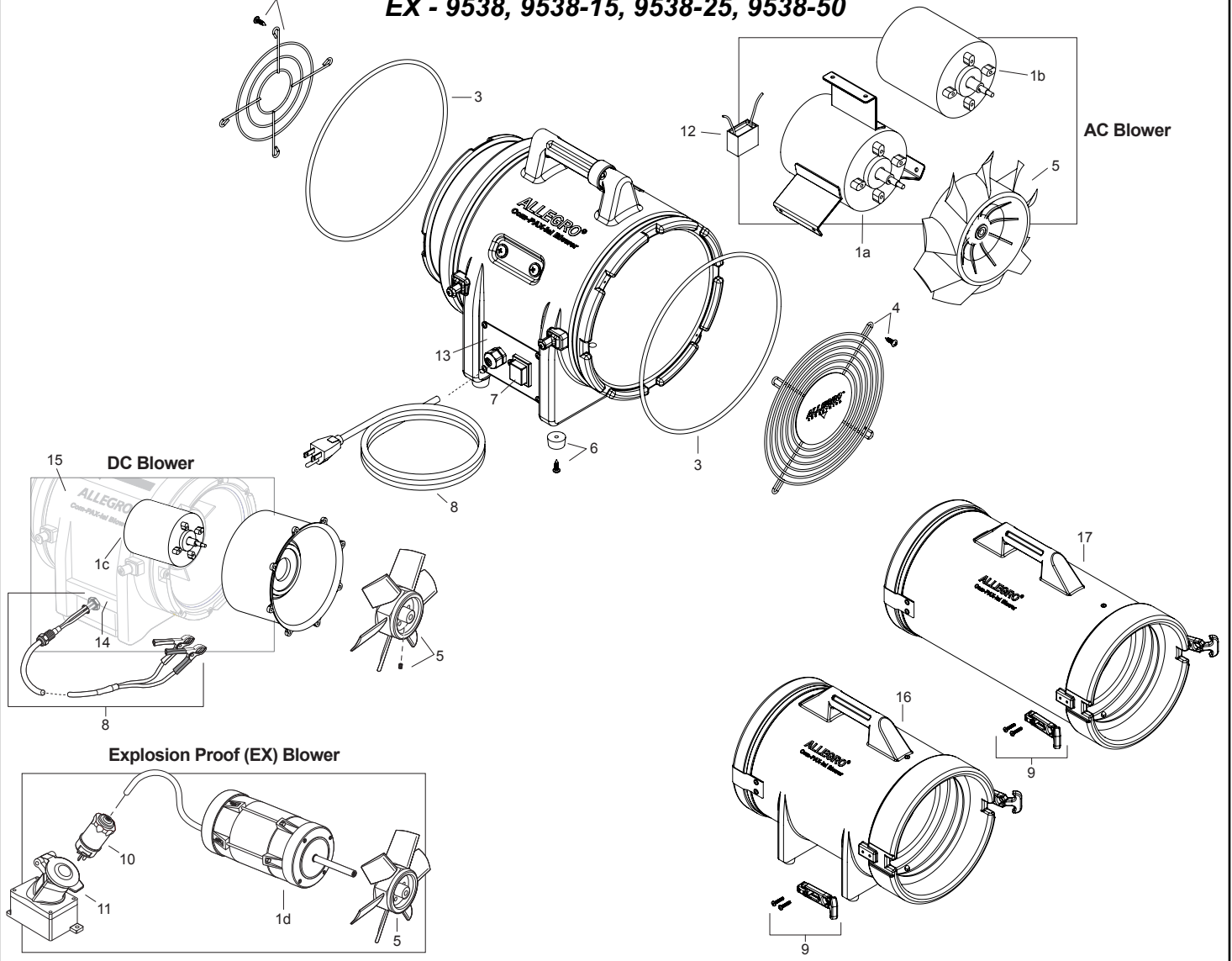


8" PLASTIC COM-PAX-IAL BLOWERS

AC - 9533, 9533-15, 9533-25, 9533-50

DC - 9536, 9536-15, 9536-25, 9536-50

EX - 9538, 9538-15, 9538-25, 9538-50



Key Part #	Description	Key Part #	Description	Key Part #	Description
9533	AC Plastic Compaxial Blower	1a	9533-03 Motor, (AC) 1/3 HP, 115/230V AC (Sold after 2012)	9	9533-08 Canister Latch Kit, Includes: Latch, Plastic Parts & Screws (not sold separately)
9533-15	AC Plastic Compaxial Blower, w/Compact Canister & 15' Ducting	1b	9533-03 Motor, (AC) 1/3 HP, 115V AC (Sold before 2012)	10	9503-02 Plug, 20A/125V (EX)
9533-25	AC Plastic Compaxial Blower, w/Compact Canister & 25' Ducting	1c	9506-10 Motor, (DC) 1/3 HP, 12V DC	11	9503-03 Recepticle (EX) (not sold separately)
9533-50	AC Plastic Compaxial Blower, w/Canister & 50' Ducting	1d	9513-03EX Motor, (AC) (EX) 1/3 HP w/Cord	12	9533-03C Capacitor, Electric Motor
9536	DC Plastic Compaxial Blower	2	9533-09 Fan Guard w/Screws (not sold separately)	13	9543-12 Switch Plate
9536-15	DC Plastic Compaxial Blower, w/Compact Canister & 15' Ducting	3	9533-05 Canister O-Ring	14	9533-12 Switch Box
9536-25	DC Plastic Compaxial Blower, w/Compact Canister & 25' Ducting	4	9533-07 Fan Grill w/Screws (not sold separately)	15	9533-14 8" Chassis
9536-50	DC Plastic Compaxial Blower, w/Canister & 50' Ducting	5	9533-10 Fan (AC) 9536-10 Fan, 6 Blade (DC) 9538-10EX Fan (EX)	16	9533-01A Compact Canister w/o Ducting 9533-01 Compact Canister w/15' Ducting 9533-02 Compact Canister w/25' Ducting 9538-01 Compact Canister w/15' Ducting (EX) 9538-02 Compact Canister w/25' Ducting (EX)
9538	EX Plastic Compaxial Blower	6	9533-06 Feet Kit, Includes 4 Feet & 4 Screws (not sold separately)	17	9533-02A Canister w/o Ducting 9533-02L Canister w/50' Ducting 9538-03 Canister w/50' Ducting (EX)
9538-15	EX Plastic Compaxial Blower, w/Compact Canister & 15' Ducting	7	9543-13 On/Off Switch		
9538-25	EX Plastic Compaxial Blower, w/Compact Canister & 25' Ducting	8	9533-04 Electric Cord (10' long)		
9538-50	EX Plastic Compaxial Blower, w/Canister & 50' Ducting		9506-40 Electric Cord w/Clamp (DC)		