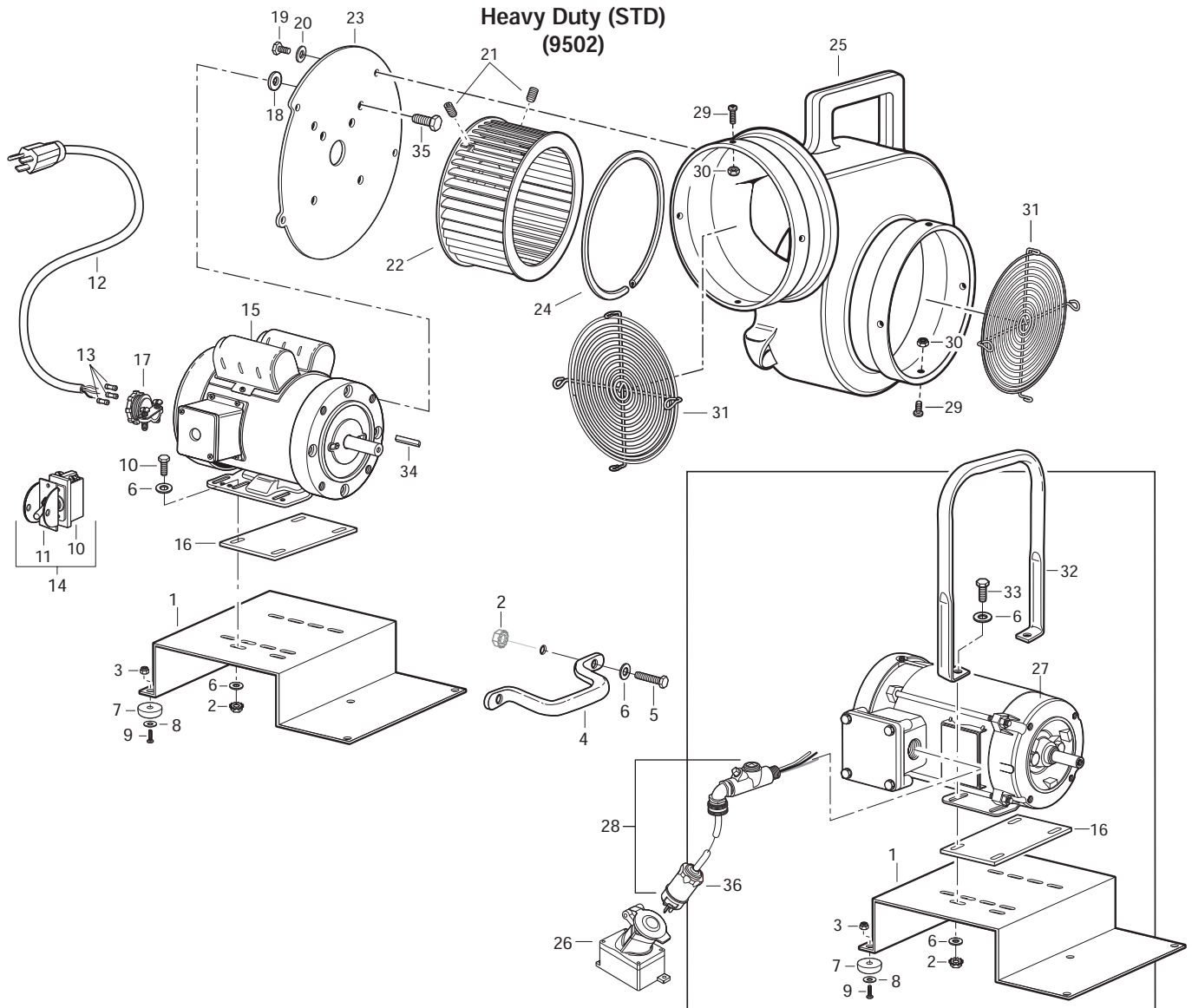


# HEAVY DUTY BLOWER (9502) EXPLOSION PROOF BLOWER (9503)



**Explosion Proof (EX) - (9503)**

| Key | Part #      | Description                        | Key | Part #    | Description                       | Key | Part #   | Description                |
|-----|-------------|------------------------------------|-----|-----------|-----------------------------------|-----|----------|----------------------------|
|     | <b>9502</b> | <b>Heavy Duty Blower (STD)</b>     | 14  | 9865-13A  | Toggle Switch Assembly            | 28  | 9503-20  | Cord w/Plug, 20A/125V (EX) |
|     | <b>9503</b> | <b>Explosion Proof Blower (EX)</b> | 15  | 9501-06   | 1.5 HP Motor                      | 29  | 9800-66  | Machine Screw              |
| 1   | 9512-03     | Base                               | 16  | 9515-04   | Motor Mount Pad                   | 30  | 9500-69  | Lock Nut                   |
| 2   | 9500-68     | K-Nut                              | 17  | 9506-04   | Cord Strain Relief                | 31  | 9534-02  | Fan Guard                  |
| 3   | 9800-64     | Lock Nut, Nylon                    | 18  | 9500-61   | Flat Washer                       | 32  | 9700-05  | Carrying Handle            |
| 4   | 9501-09     | Base Handle                        | 19  | 9500-74   | Bolt                              | 33  | 9500-82  | Tap Bolt                   |
| 5   | 9500-82     | Tap Bolt                           | 20  | 9500-72   | Lock Washer                       | 34  | 9505-09A | Shaft Key                  |
| 6   | 9500-64     | Flat Washer                        | 21  | 9500-91   | Socket Set Screw                  | 35  | 9500-77  | Machine Screw              |
| 7   | 9505-06     | Feet                               | 22  | 9501-02   | Fan Wheel, Steel (STD)            | 36  | 9503-02  | Plug, 20A/125V (EX)        |
| 8   | 9800-62     | Flat Washer                        |     | 9501-03   | Fan Wheel, Aluminum (EX)          |     |          |                            |
| 9   | 9500-75     | Machine Screw                      | 23  | 9504-03A  | Mounting Plate                    |     |          |                            |
| 10  | 9865-13     | Toggle Switch                      | 24  | 9504-03B  | Housing Gasket                    |     |          |                            |
| 11  | 9865-14     | Plate                              | 25  | 9504-03RM | Blower Housing (sold separately)  |     |          |                            |
| 12  | 9831-75     | Electric Cord                      | 26  | 9503-03   | Receptacle (EX) (sold separately) |     |          |                            |
| 13  | 9513-14     | Butt End Connector                 | 27  | 9503-01   | .75 HP Motor                      |     |          |                            |